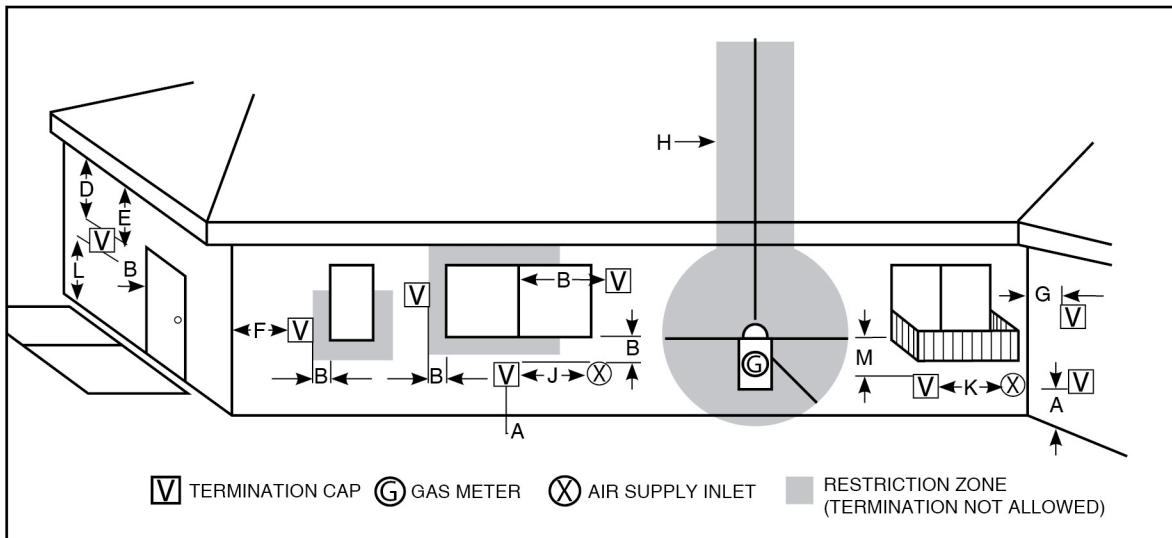




DIRECT VENT LOCATIONS



DIMENSION DESCRIPTIONS

- A = Clearance above the ground, a veranda, porch, deck or balcony – 12 inches (30 cm) minimum.
- B = Clearance to window or door that may be opened – 9 inches (30 cm) minimum.
- D* = Vertical clearance to ventilated soffit located above the terminal within a horizontal distance of 2 feet (60 cm) from the center-line of the terminal – 18 inches (46 cm) minimum.
- E* = Clearance to unventilated soffit – 12 inches (30 cm) minimum.
- F = Clearance to outside corner – 6 inches as tested.
- G = Clearance to inside corner – 6 inches as tested.
- H^ = Not to be installed above a meter/regulator assembly within 3 feet (90 cm) horizontally from the center-line of the regulator.
- I = Clearance to service regulator vent outlet – 3 feet (990 cm) minimum, United States; 6 feet (1.8 m) minimum, Canada.
- J = Clearance to non mechanical air supply inlet to building or the combustion air inlet to any other appliance – 12 inches (30 cm) minimum.
- K = Clearance to mechanical air supply inlet – 6 feet (1.8 m) minimum.
- L+ = Clearance above a paved sidewalk or paved driveway located on public property – 7 feet (2.1 m) minimum.
- M# = Clearance under veranda, porch, deck, or balcony – 12 inches (30 cm) minimum.
- + = A vent must not terminate directly above a sidewalk or paved driveway which is located between two single family dwellings and serves both dwellings.
- # = Only permitted if veranda, porch deck, or balcony is fully open on a minimum of 2 sides beneath the floor.
- ^ = As specified in Installation Codes. Note: local codes or regulations may require different clearances.
- + = Distance required for vinyl soffit materials - 30 inches (78 cm) minimum.
 Distance required for vinyl soffit materials with the use of vinyl siding shield – 18 inches (46 cm) minimum.

Visit or e-mail us on the web at: qfireplaces.com